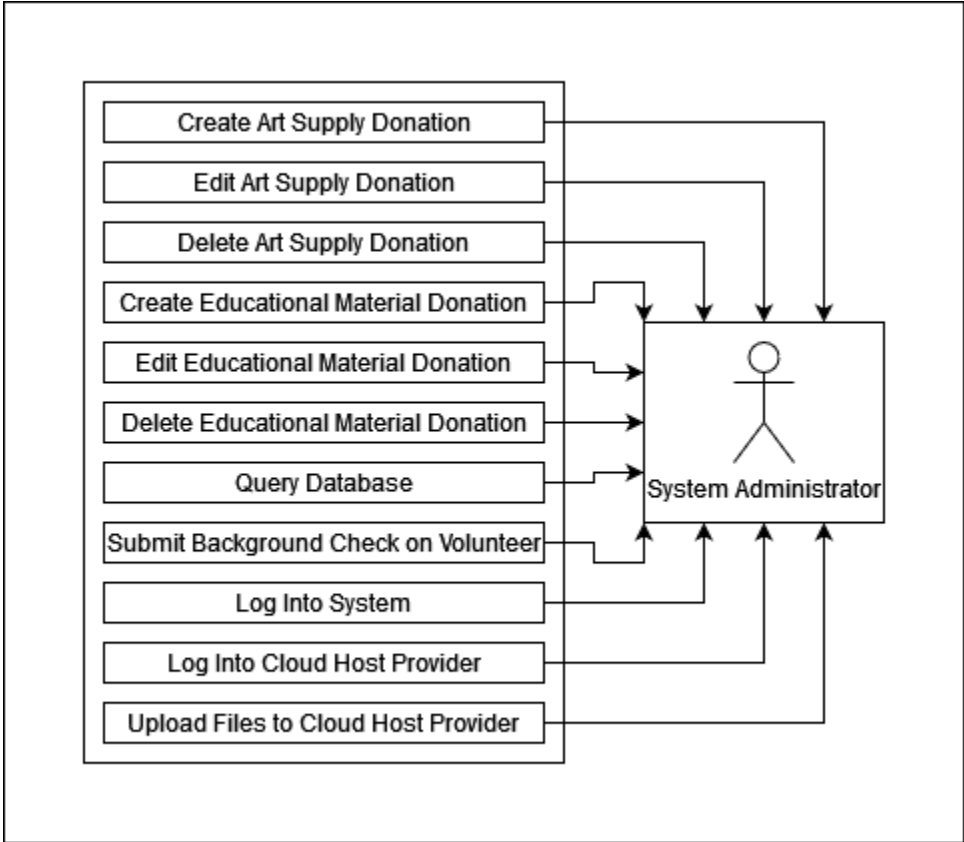
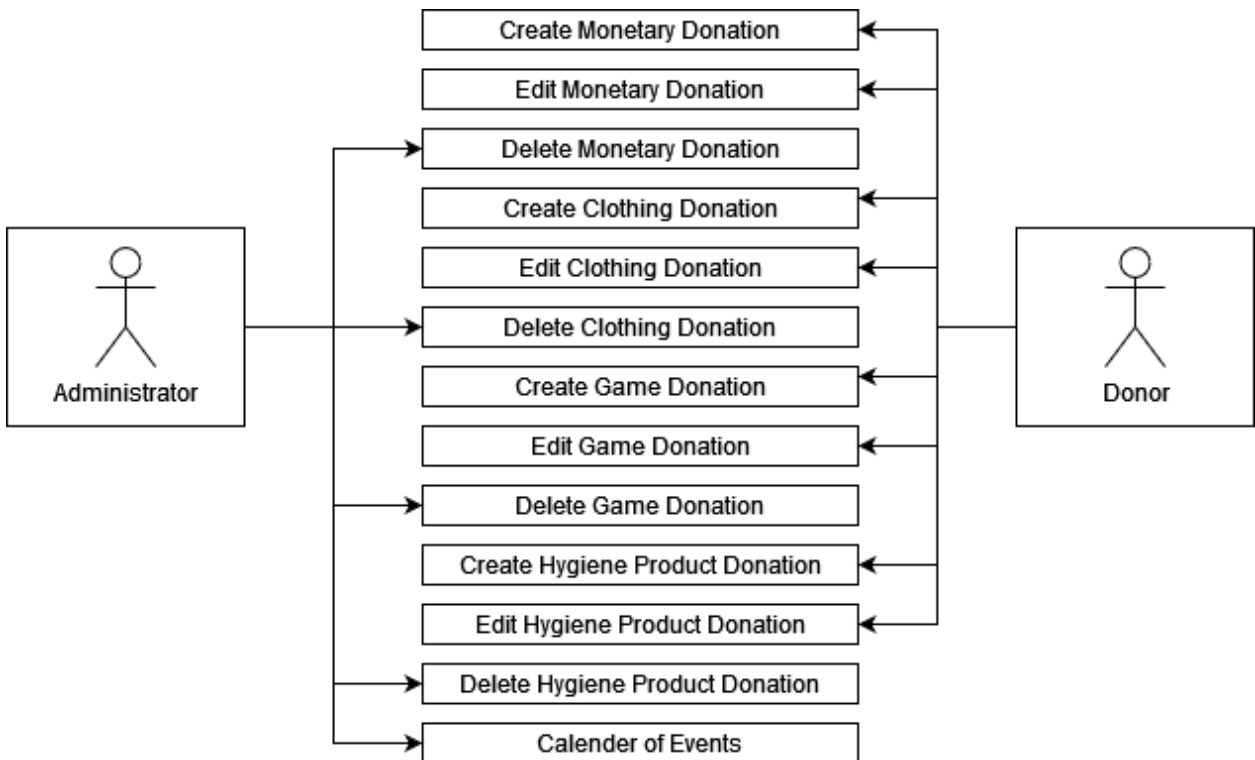
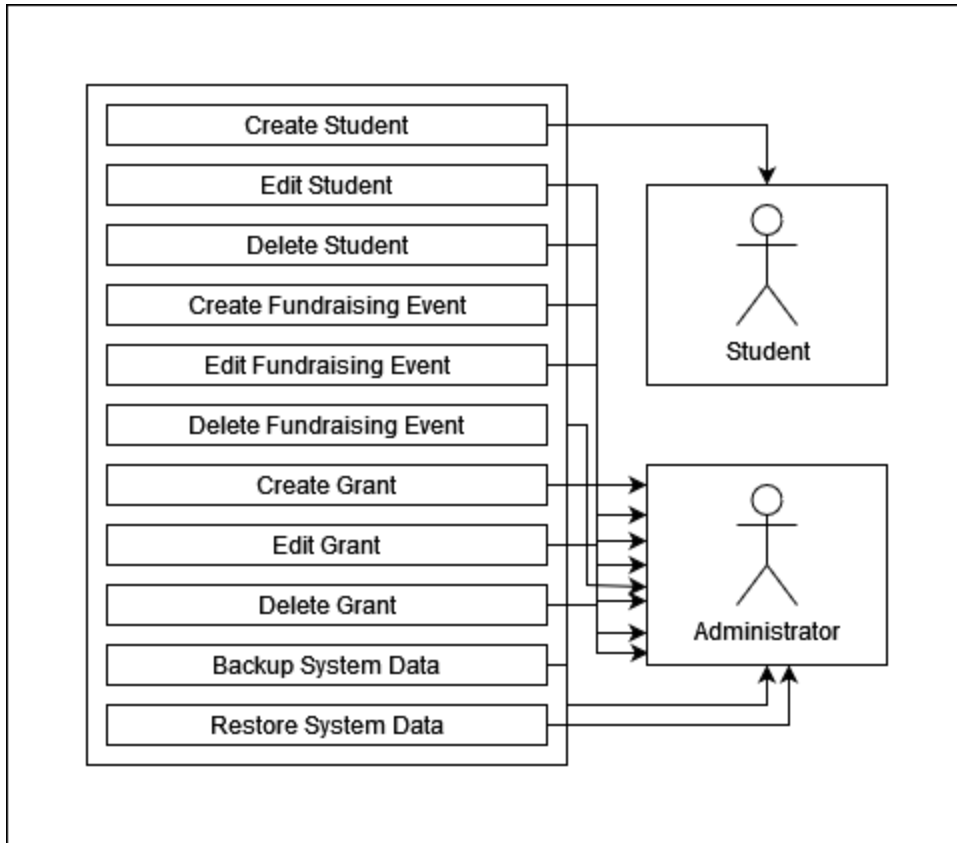


Use Case Diagrams

The below Use Case Diagrams illustrate the user or actor who initiates each use case described in this document. Each use case has an arrow pointing from it to the actor who initiates it. Many use cases are initiated by the System Administrator, but several involve other actors such as volunteers, donors, and students in the program.





Use Case Diagram: Create Class Event

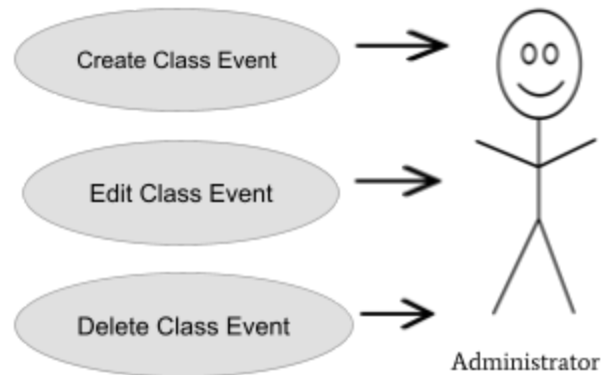
Actors:

1. Administration

Use Cases

1. Create Class Event
2. Edit Class Event
3. Delete Class Event

Administration is responsible for collecting all necessary logistical information to create event. They are also responsible for any edits or deletions that need to be made to scheduled events.



Use Case Diagram: Create Detention Center

Actors:

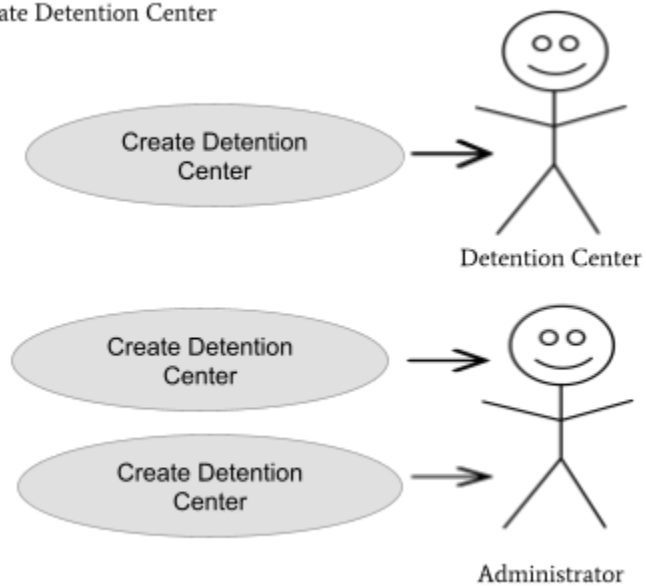
1. Facility
2. Administration

Use Cases

1. Create Detention Center
2. Edit Detention Center
3. Delete Detention Center

The facility is responsible for completing the detention center registration form correctly and following up with the organization.

The administration is responsible for making all edits and deletions involving any data collected about centers in the database.



Use Case Diagram: Create Volunteer

Actors:

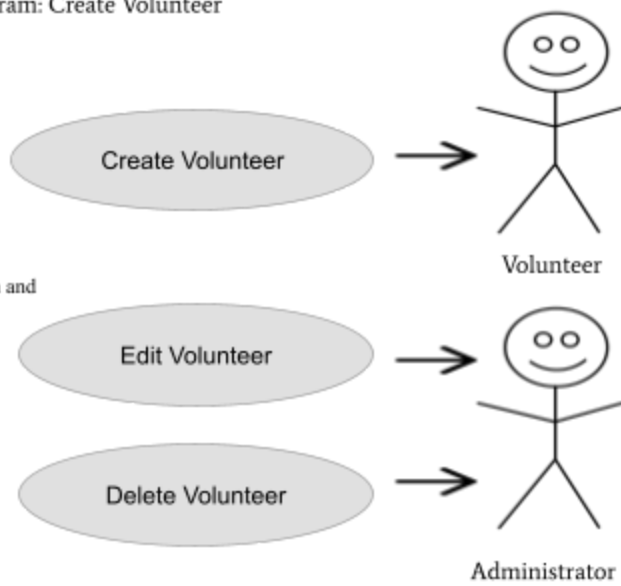
1. Volunteers
2. Administration

Use Cases

1. Create Volunteer
2. Edit Volunteer
3. Delete Volunteer

Volunteers are responsible for inputting their own information and submitting their registration form Via the website.

Administration is tasked with completing any requested or mandatory updates or system removals.



Use Case Diagram: Edit About/Contact Us Page

Actors:

1. Administration

Use Cases

1. Edit Contact Us Page
2. Edit About Us Page

Administration is responsible for editing and making improvements to the About/Contact Us Page.

